



***Eliminator***

***Universal Tracking Valve***

The **Camtac® Eliminator** Universal Tracking Valve is the next step in Tracking Valves. It **Eliminates** the need for two types of Valves with its simple assembly and can be used on both sides of the machine. The rugged design with tried and trusted materials uses state of the art machines and machining techniques which guarantees leak proof operation. The Valve tracks belts on Linear Screens, Belt Filter Presses and Paper Machine Wires etc. Body material is 316 stainless steel as standard and other materials on request.



The principle of operation is a proportional 4 port 3 position (4/3) rotary pneumatic valve that is actuated via a lever acting under the influence of gravity to sense the edge of a belt. There are no electronics or sensitive pneumatics. Compressed air requirements are regulated, dry and filtered air (ideally to 5µm) at 0.5 bar to 4 bar. Maximum pressure is 10 bar. Anything over 5 bar may require a special heavier Paddle. No oiling is necessary or recommended except for cylinder requirements.

The Paddle is simple and rugged. Standard design is a tubular ceramic tube over a stainless steel Paddle Shaft that fastens into a special purpose adaptor. The hard ceramic tube ensures excellent wear properties in all conditions. It can be rotated to give maximum life. On request is a flat Paddle with rounded edges.

The Valve has 1/8" BSPP ports as standard and 1/8" NPT on request. Standard fittings are 316 Stainless Steel with Ø8 mm push in swivel elbows. Other types of fittings (available on request) that can fit into 1/8" ports are for example, adaptors 1/8" male to 1/4" female, compression fittings in an array of sizes, stud fittings and swivel elbows with different tube sizes. These fittings can also be supplied in a variety of material types.

A cover can be ordered separately in a variety of materials and finishes.

Spare Paddles, Fastener kits and Fittings are available on request.

Specifications:-

Valve type	4/3 proportional rotary lever operated pneumatic valve
Fluid	Compressed air – Regulated, dry, filtered to 5µm, 0.5 to 4 bar (7 to 58 psi)
Max pressure	10 bar (145 psi) tested at 7 bar (101 psi)
Temperature	-100°C to +100°C (-148°F to +212°F)
Materials	Stainless steel, PTFE, Alumina ceramic, medium Nitrile rubber and epoxy glue
Paddle	Standard – Round, (Flat on request)
Fittings	Standard – 316 SS 1/8" BSPP to Ø8 mm push in swivel elbows. Other types and materials on request
Mounting	M6 stainless steel studs with Nyloc nuts through a stainless steel Clamp Plate
Options	A cover in a variety of materials and finishes

Tracking Valve kit comes complete with 1 off Eliminator Tracking Valve, 1 off Paddle, 1 off 4 mm Allen key, 1 off M5x8 SHCS, 1 off Clamp Plate, 2 off M6 Studs, 2 off M6 Nyloc nuts, 1 off Setting Pin and Assembly instructions

The Valve is guaranteed against material defects and workmanship for 1 year from date of purchase. The Valve has no user serviceable parts and tampering voids warranty.

A refurbishing service is available on condition that all shipping and refurbishing costs are covered by the customer.

For more information please see our website [www.nns-net.com](http://www.nns-net.com)

Contact information:-

**NNS -NET**

4828 Southwest 62<sup>nd</sup> Lane  
Ocala  
Florida  
34474-4776  
United States of America

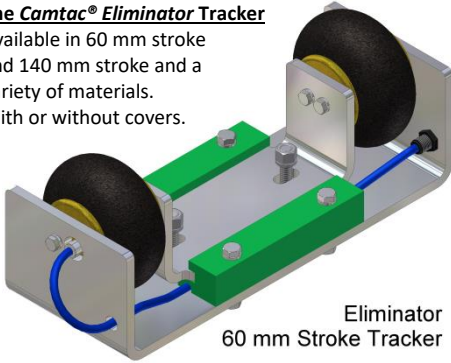


Email [info@nnsinternationallogistics.com](mailto:info@nnsinternationallogistics.com)  
Tel +1 (352) 445 1399

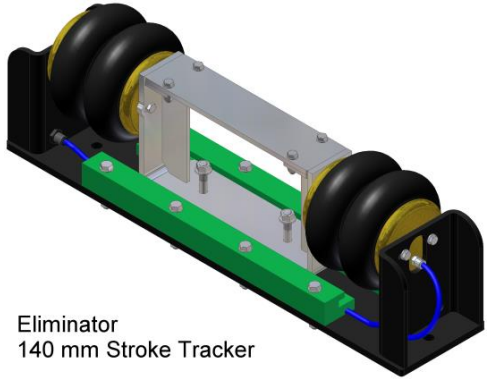
Other **Camtac**® products in the **Eliminator** range:-

**The Camtac® Eliminator Tracker**

Available in 60 mm stroke and 140 mm stroke and a variety of materials.  
With or without covers.



Eliminator  
60 mm Stroke Tracker



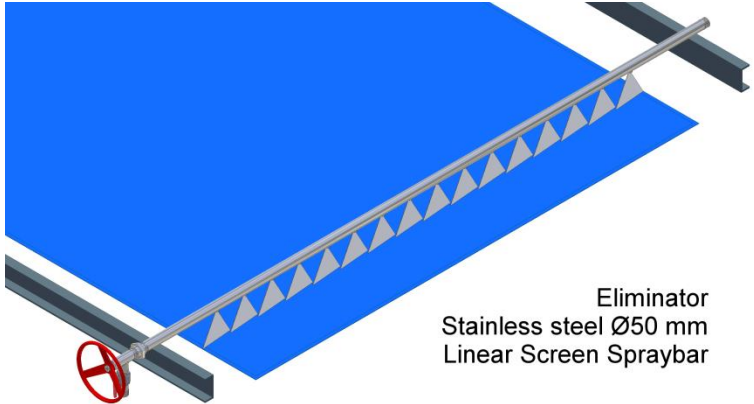
Eliminator  
140 mm Stroke Tracker

**The Camtac® Eliminator Cylinder Speed Control Kit**

For installations that run standard ISO cylinders in the Tracker where the cylinder continuously hunts from limit to limit. By adding this kit, the response of the Valve can be tailored according to the installation.

**The Camtac® Eliminator Linear Screen Spraybar**

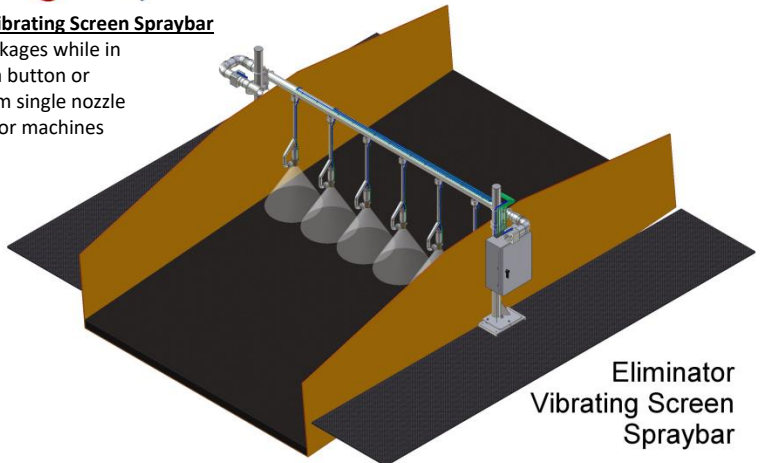
Designed to **Eliminate** blockages while in production simply by opening the Flush Valve and rotating the Handwheel until the waste flow is clear. From single nozzle to multi-nozzle Spraybars up to 7 m long in Ø50 mm and Ø80 mm pipe.



Eliminator  
Stainless steel Ø50 mm  
Linear Screen Spraybar

**The Camtac® Eliminator Vibrating Screen Spraybar**

Designed to **Eliminate** blockages while in production at the push of a button or completely automatic. From single nozzle to multi-nozzle Spraybars for machines up to 6 m wide.



Eliminator  
Vibrating Screen  
Spraybar