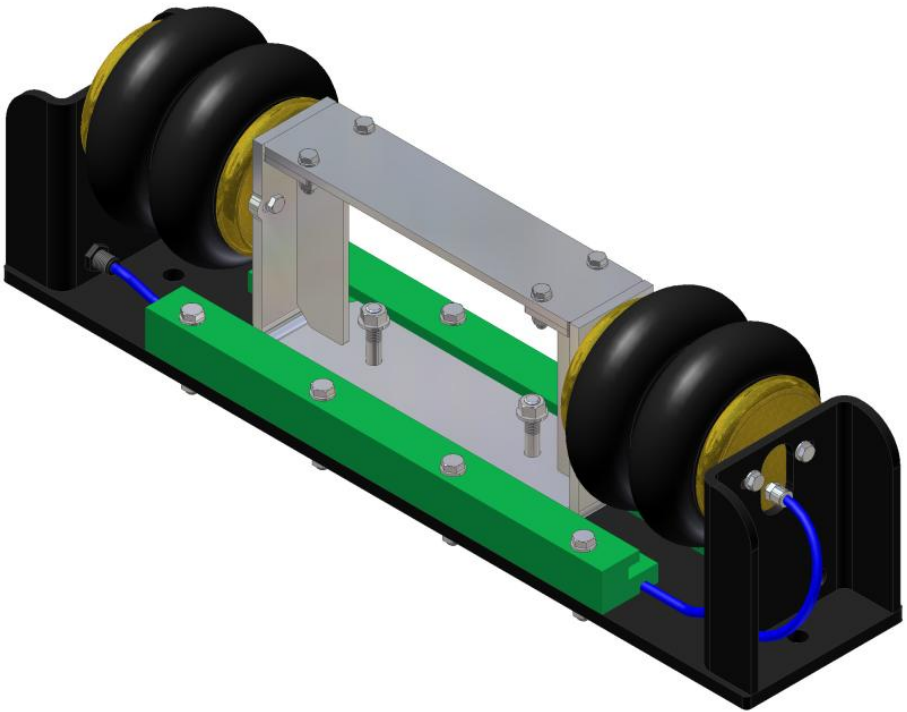


®

amtac



Eliminator

140 mm Stroke Tracker

The Camtac® Eliminator 140 mm stroke Tracker is the next step in Trackers. Used in conjunction with the Camtac® Eliminator Tracking Valve, the belt will stay centred in the machine under the most arduous conditions. Built to fit the Delkor type machine, the Eliminator 140 mm stroke Tracker will accommodate both offset and centre aligned port bellow cylinders in the SP2 B07 and FD 120/17 style up to 3/4" port sizes without any modifications. The crimped end plates are standard in mild steel, either powder coated or electro-galvanised but can be supplied in 316 stainless steel on request. The Tracker can be manufactured from a variety of materials from mild steel, 304 and 316 stainless steel or any combination thereof. The base is powder coated in outside texture black, but any standard colour can be accommodated on request.

A novel addition to the Tracker is the addition of a tube control system where the tubes to both cylinders are at one side of the Tracker only. This simplifies and neatens up the installation. The orientation and side can be altered once installed by changing the position of the bulkhead fitting front to back or left to right.

A cover can be supplied as an optional extra in any of the above mentioned materials in a variety of finishes from natural to powder coated or electro-galvanised as well as pickled and passivated in the stainless steel options.

The Tracker is supplied in kit form and consists of a Tracker, a 1/4" combined filter regulator, all necessary fittings and a coil of Ø8 mm poly-urethane tubing.

For demanding applications on special request a complete 316 Tracker kit can be supplied. This kit will consist of a 316 stainless steel Tracker with 316 stainless steel bellow cylinders, a 316 stainless steel combined filter regulator, all necessary fittings in 316 stainless steel and a coil of Ø8 mm poly-urethane tubing. The optional cover can be supplied in 316 stainless steel as well.

On request other styles and sizes of fittings in a variety of materials can be supplied as well as different tubing materials.

The Tracker is controlled by the Camtac® Eliminator Tracking Valve in response to the movement of the belt. Each bellow is operated by one side of the Valve alternately. One end of a pivoting roller is mounted in a pillow block self aligning bearing in the Inner Frame of the Tracker which steers the belt. The Valve and Tracker system is centre searching and therefore will only adjust the roller if the belt wanders off the centre.

Spare parts can be ordered separately and include a Fastener kit, an Air Preparation unit, Fittings and Tubing, Bellow Cylinders as well as Guides.

See separate data sheet for correct route of belt over roller in the Tracker.

Specifications:-

Fluid	Compressed air – Regulated, dry, filtered to 5µm, 0.5 to 4 bar (7 psi to 58 psi).
Max pressure	7 bar (145 psi) or as per cylinder specifications.
Temperature	-40°C to +50°C (-40°F to +122°F). Other temperature ranges on request.
Materials	Mild steel, Stainless steel, UHMWPE, Natural rubber and Poly-Urethane
Fittings	Standard – NPB 1/4" BSPT to Ø8 mm push in stud fittings. Other types and materials on request
Mounting	M16 bolt assemblies supplied by site.

Tracker kit comes complete with 1 off Eliminator 140 mm stroke Tracker, 1 off 1/4" combined filter regulator and 5 m of Ø8 mm poly-urethane tubing. A cover is available on request.

The Tracker can be repaired on site and spare parts can be ordered separately.

The Tracker is guaranteed against material defects and workmanship for 1 year from date of purchase.

A refurbishing service is available on condition that all shipping and refurbishing costs are covered by the customer.

For more information please see our website www.camtac.com

Contact information:-

Camtac Projects (Pty) Ltd

Plot 67
Vlakplaas
Krugersdorp
1739
Gauteng
Republic of South Africa

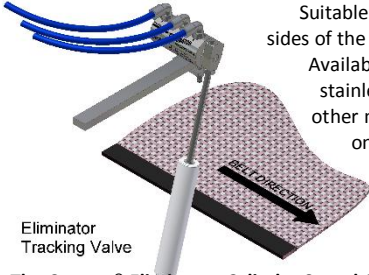
P. O. Box 22
Tarlton
1749
Republic of South Africa



Email info@camtac.com
Tel +27 (0)11 952 8062/3
Fax +27 (0)86 553 8128

Other Camtac® products in the Eliminator range:-

The Camtac® Eliminator Tracking Valve

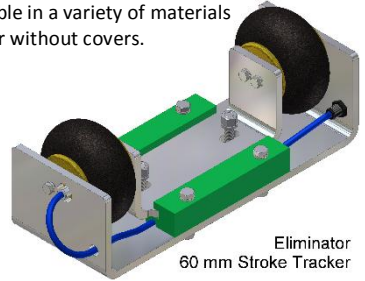


Eliminator Tracking Valve

Suitable for both sides of the machine
Available in 316 stainless steel,
other materials on request

The Camtac® Eliminator 60 mm Stroke Tracker

Available in a variety of materials with or without covers.



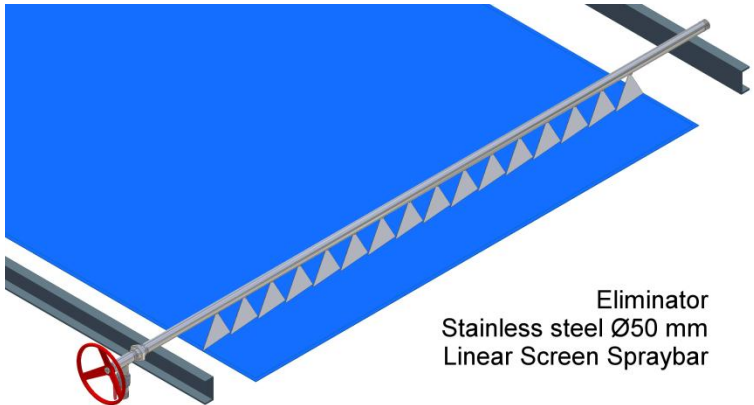
Eliminator 60 mm Stroke Tracker

The Camtac® Eliminator Cylinder Speed Control Kit

For installations that run standard ISO cylinders in the Tracker where the cylinder continuously hunts from limit to limit. By adding this kit, the response of the Valve can be tailored according to the installation.

The Camtac® Eliminator Linear Screen Spraybar

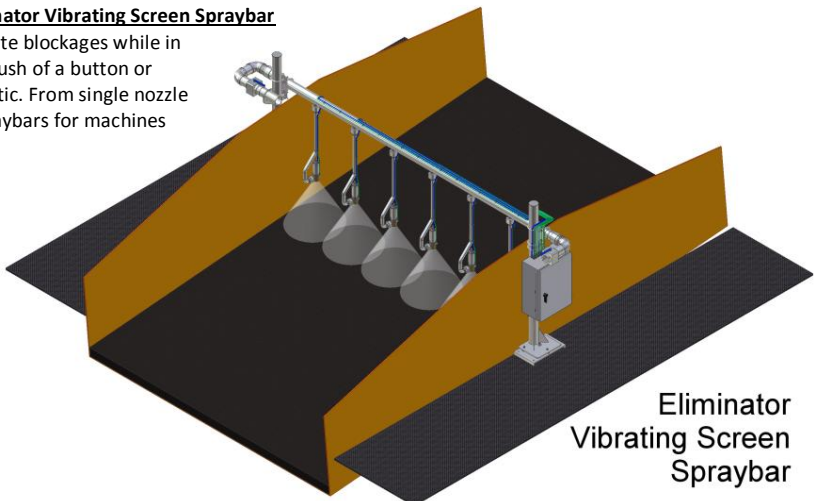
Designed to Eliminate blockages while in production simply by opening the Flush Valve and rotating the Handwheel until the waste flow is clear. From single nozzle to multi-nozzle Spraybars up to 7 m long in Ø50 mm and Ø80 mm pipe.



Eliminator Stainless steel Ø50 mm Linear Screen Spraybar

The Camtac® Eliminator Vibrating Screen Spraybar

Designed to Eliminate blockages while in production at the push of a button or completely automatic. From single nozzle to multi-nozzle Spraybars for machines up to 6 m wide.



Eliminator Vibrating Screen Spraybar